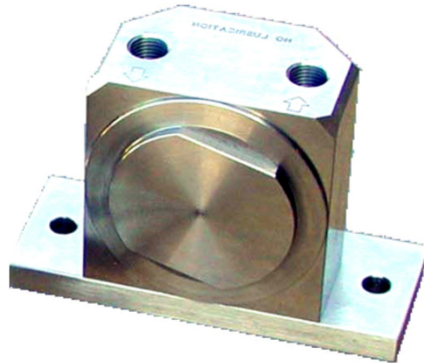


# DataSheet

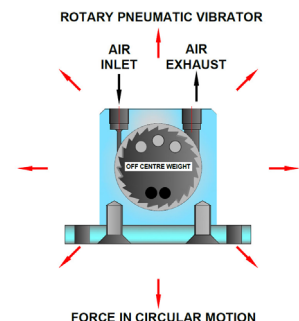
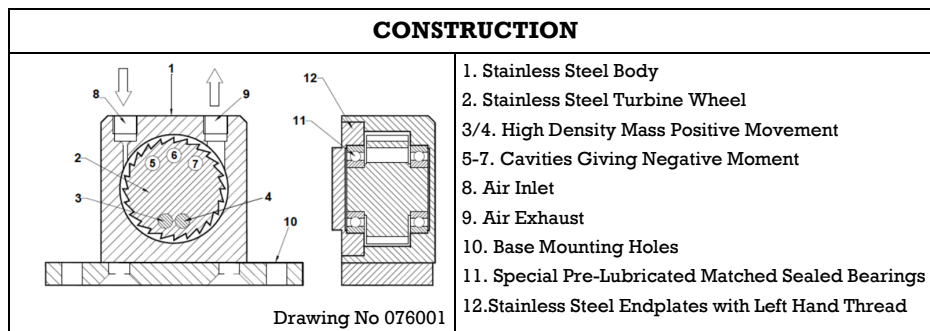
# ProSpare

## Pneumatic Turbine Vibrator - GTSS



- Stainless Steel
- Rotary Vibrator
- No Lubrication required
- Force 583 N to 4900 N
- Suitable for temperature from  $-40^{\circ}\text{C}$  to  $120^{\circ}\text{C}$
- Noise level 60-70 dB(a) with silencer fitted

On request can be supplied with ATEX certification to ATEX 2014/34/EU  II 2 G & D Zone 1, 2 & 21, 22



### PERFORMANCE DATA

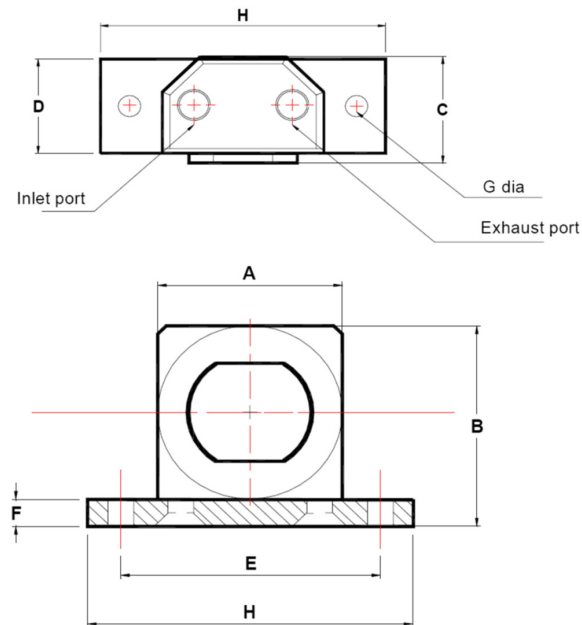
Models	Frequency V.P.M.			Centrifugal Force						Air Consumption / Minute					
	2 Bar 29 PSI	4 Bar 58 PSI	6 Bar 87 PSI	2 Bar N	29 PSI lbs	4 Bar N	58 PSI lbs	6 Bar N	87 PSI lbs	2 Bar Litr	29 PSI CF	4 Bar Litr	58 PSI CF	6 Bar Litr	87 PSI CF
<b>GTSS Standard Model supplied with Mounting Plate</b>															
<b>GT10SS</b>	27000	32000	37000	750	168	1350	302	2100	472	46	1.6	80	2.8	112	3.9
<b>GT16SS</b>	20000	23000	27500	1700	382	2500	562	3700	831	120	4.2	200	7.0	290	10.2
<b>GT25SS</b>	14000	17000	19500	2500	562	4150	932	5700	1281	185	6.6	325	11.4	455	16.0
<b>GTS-SS available to special order only, supplied with Mounting Plate, lower frequency than GTSS model</b>															
<b>GT10S-SS</b>	17000	23000	25000	650	146	1350	303	1950	438	46	1.6	80	2.8	112	3.9
<b>GT16S-SS</b>	11500	15500	17000	1100	248	1900	427	2700	607	120	4.2	200	7.0	290	10.2
<b>GT25S-SS</b>	8500	11000	13000	2250	506	3600	809	4900	1102	185	6.5	325	11.4	455	16.1

Data obtained on a heavy laboratory test block. Frequency and force will decrease on a less rigid mounting while the noise level will increase.

\* European Specification available to special order without Foot Mounting Plate see Leaflet L1007

## (UK/US Specification\*)

### DIMENSIONS



### GTSS (EX) & GTS-SS (EX) Model

Model	Drawing Number	A mm	B mm	C mm	D mm	E mm	F mm	G Dia mm	H mm	Inlet Port	Ex Port	Weight Kgs
GT10SS & GT10S-SS	076005	49	55	38.1	30	68	6	7	86	1/8" BSP	1/8" BSP	0.625
GT16SS & GT16S-SS	076006	64	74	45.5	40	90	10	9	113	1/4" BSP	1/4" BSP	1.307
GT25SS & GT25S-SS	076007	78	88	55.5	60	104	10	11	128	1/4" BSP	1/4" BSP	2.284

\* European Specification available to special order without Foot Mounting Plate see Leaflet L1007

**ProSpare**

Bestwood Road • Pinxton • Nottinghamshire NG16 6NT  
 Tel • +44 (0)1773 814008 • Fax • +44 (0)1773 860055 • Email • sales@prospare.co.uk

[prospare.co.uk](http://prospare.co.uk)

We reserve the right to modify or withdraw specifications or products without notice or obligation.