

DataSheet

Pneumatic Roller Vibrator - DAR

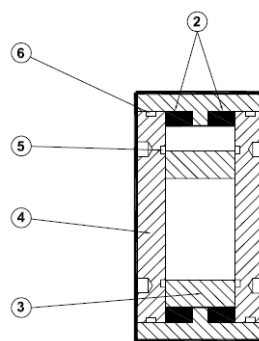
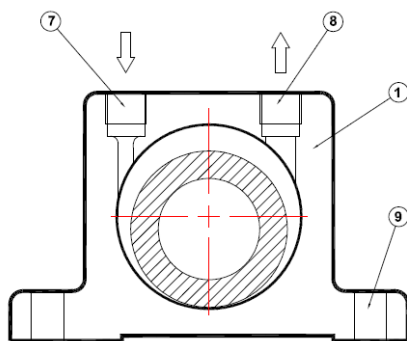
ProSpare



- Aluminium Body with Painted Finish
- Anodised Finish available on some models*
- Rotary Vibrator
- Frequency / Force adjustable by air pressure
- Suitable for temperature from -40 °C up to 150°C
- Noise level 75-100 dB(a) with silencer fitted
- Force 1680 N to 12000 N

On request can be supplied with ATEX certification to ATEX 2014/34/EU  II 2 G & D Zone 1, 2 & 21, 22

CONSTRUCTION



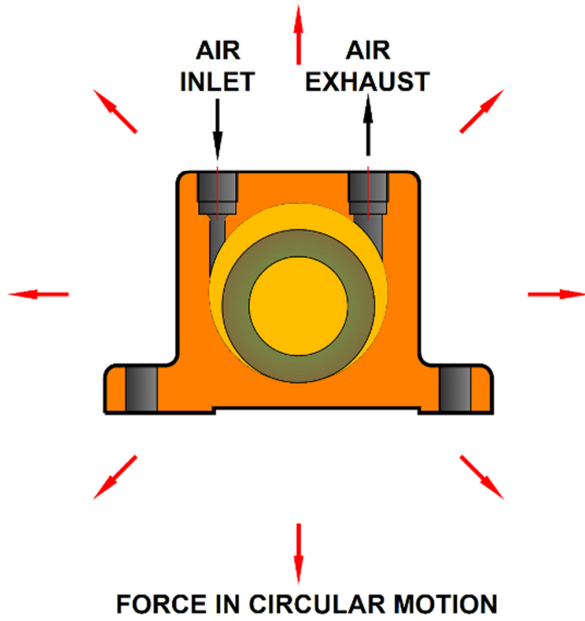
1. Extruded Aluminium Body
2. High Tensile Steel Races
3. Cast Iron Roller
4. Special Bronze Endplates
5. Oiler Grooves
6. Impurities Collection Grooves
7. Air Inlet
8. Air Exhaust
9. Base Mounting Holes

Drawing No 079001

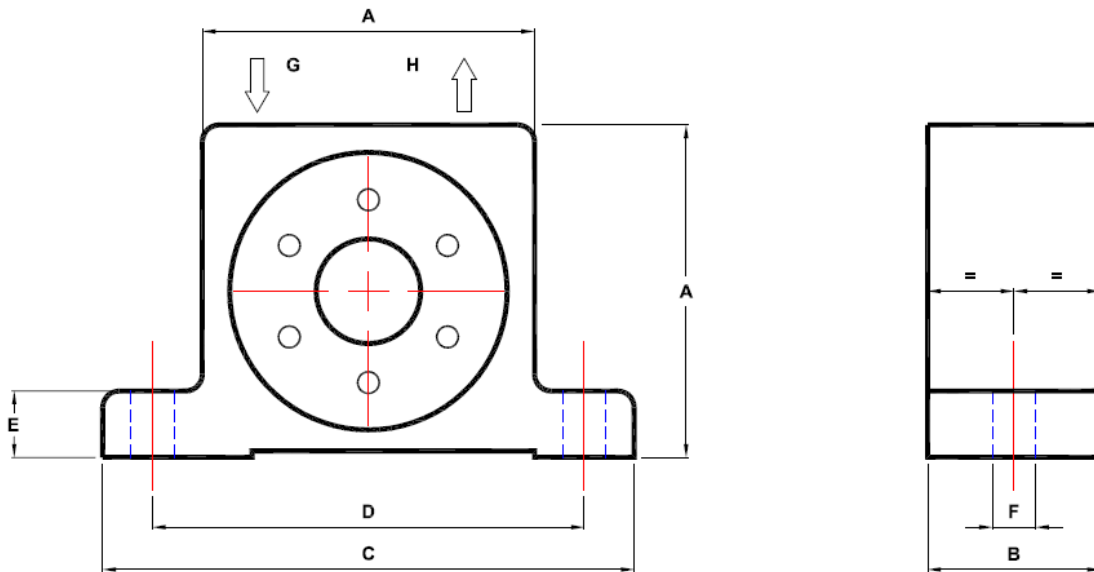
PERFORMANCE DATA

Models		Frequency V.P.M.			Centrifugal Force						Air Consumption / Minute					
Standard Painted	Anodised	2 Bar 29 PSI	4 Bar 58 PSI	6 Bar 87 PSI	2 Bar N	29 PSI lbs	4 Bar N	58 PSI lbs	6 Bar N	87 PSI lbs	2 Bar litr	29 PSI CF	4 Bar litr	58 PSI CF	6 Bar litr	87 PSI CF
DAR02	DAR02A	36000	37000	38000	2220	500	3380	760	4090	920	70	2.5	140	4.9	200	7.0
DAR03	-	27000	31000	32000	2720	612	4560	1026	6050	1361	100	3.5	200	7.0	300	10.6
DAR04	-	18000	22500	25000	2360	531	4610	1037	6690	1505	120	4.2	250	8.8	360	12.7
DAR05	-	9500	15000	16500	1680	378	4640	1044	7200	1620	130	4.6	270	9.5	390	13.8
DAR06	-	7800	10000	12000	4370	983	6860	1544	10300	2317	170	6.0	320	11.3	470	16.6
DAR07	-	8000	9800	11500	5870	1320	9500	2137	12000	2700	180	6.4	350	12.4	500	17.7

ROTARY PNEUMATIC VIBRATOR



DIMENSIONS



Drawing No 079002

Models		A		B		C		D		E		F		G/H	WEIGHT	
Painted	Anodised	mm	inch	mm	inch	mm	inch	mm	inch	mm	inch	mm	inch	BSP	KGS	LBS
DAR 2	DAR02A	50	1.97	30	1.18	86	3.38	68	2.68	12	0.47	7	0.27	1/8"	0.370	0.82
DAR 3	-	65	2.56	36	1.42	113	4.45	90	3.54	16	0.63	9	0.35	1/4"	0.760	1.68
DAR 4	-	80	3.15	40	1.57	128	5.04	104	4.00	16	0.63	11	0.43	1/4"	1.270	2.80
DAR 5	-	100	3.94	52	2.05	160	6.30	130	5.12	20	0.79	13	0.51	3/8"	2.450	5.40
DAR 6	-	120	4.72	62	2.44	194	7.64	152	6.00	24	0.94	17	0.67	3/8"	4.700	10.35
DAR 7	-	120	4.72	77	3.03	194	7.64	152	6.00	24	0.94	17	0.67	3/8"	5.700	12.55

Data obtained on a heavy laboratory test block. Frequency and force will decrease on a less rigid mounting while the noise level will increase.

ProSpare

Bestwood Road • Pinxton • Nottinghamshire NG16 6NT
 Tel • +44 (0)1773 814008 • Fax • +44 (0)1773 860055 • Email • sales@prospare.co.uk

prospare.co.uk

We reserve the right to modify or withdraw specifications or products without notice or obligation.